

PLASMA BIONICS

V10 AIR PLASMA STERILIZER

Redefining Veterinary Instrument Sterilization



STERILIZE CRITICAL INSTRUMENTS

- ✓ surgical electronics
- ✓ lumen
- ✓ optics

REDUCE OPERATING COSTS

- ✓ no installation cost
- ✓ low cost per cycle
- ✓ low maintenance

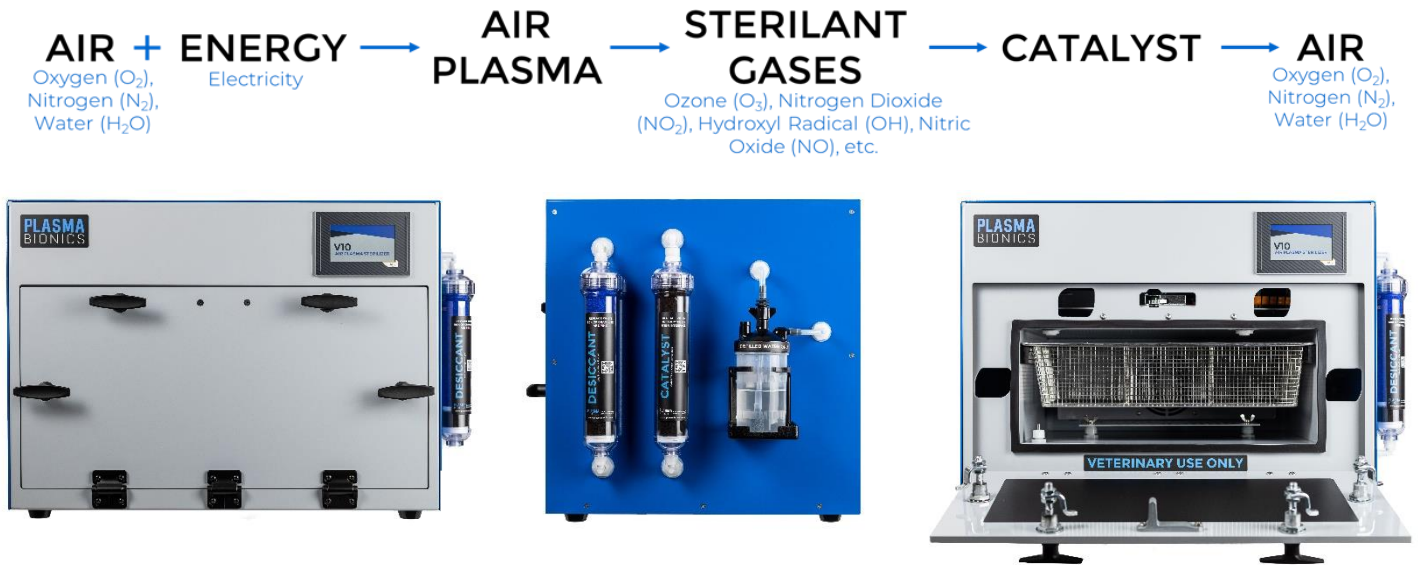
ELIMINATE HARMFUL CHEMICALS

- ✓ no chemical consumables
- ✓ environmentally friendly
- ✓ zero emissions

plasmabionics.com

INTRODUCING AIR PLASMA STERILIZATION®

The V10 Air Plasma Sterilizer uses just air and electricity to sterilize critical veterinary instruments. The proprietary Air Plasma Sterilization® process produces multiple reactive oxygen and nitrogen species from air that rapidly destroy microorganisms on instrument surfaces. The sterilant gases are converted back into harmless air once sterilization is complete.



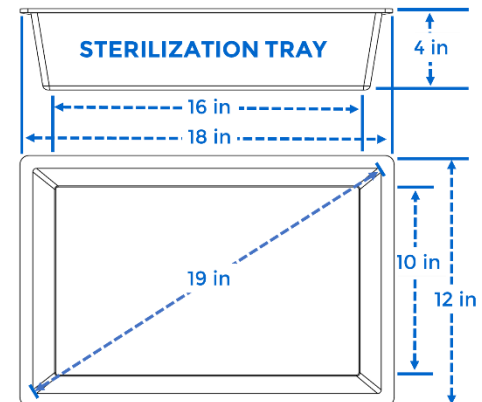
THE IDEAL ALTERNATIVE TO ETHYLENE OXIDE

Safely and easily sterilize critical instruments at least 3 times faster than ethylene oxide, increasing productivity and throughput. The Air Plasma Sterilization® process is compatible with surgical electronics and optics and may extend the usable life of sensitive veterinary instruments. By eliminating the need for high temperature, vacuum, high pressure, and harmful chemicals, the V10 Air Plasma Sterilizer provides a safe, intuitive, and environmentally friendly solution for veterinary instrument sterilization.

	Low temperature	Installation costs	Chemical consumables	Operating pressure	Cost per cycle	Sterilization cycle time
Air Plasma Sterilization®	yes	no	no	atmospheric	\$3-\$5	4 hours
Ethylene Oxide	yes	yes	yes	vacuum	\$20+	12-24 hours

TECHNICAL SPECIFICATIONS

Exterior dimensions	28.75 x 19.25 x 18.75 in
Sterilization tray dimensions	16 x 10 x 4 in
Sterilization tray volume	10.5 L (2.8 gal)
Weight	110 lbs (49.9 kg)
Operating temperature	5-40 °C (41-104 °F)
Storage temperature	-25-60 °C (-13-140 °F)
Electrical requirements	110-120 VAC, 50/60 Hz, 6.5 A
Preconditioning time	15-20 min
Sterilizing time	3 hrs
Ventilating time	45 min



V10 Air Plasma Sterilizer
 Brochure_Rev_0822



plasmabionics.com



Authorized Distributor
 39 Western Hwy., West Nyack, NY 10994
www.duralinesystems.com
 sales@duralinesystems.com
 877-561-0500